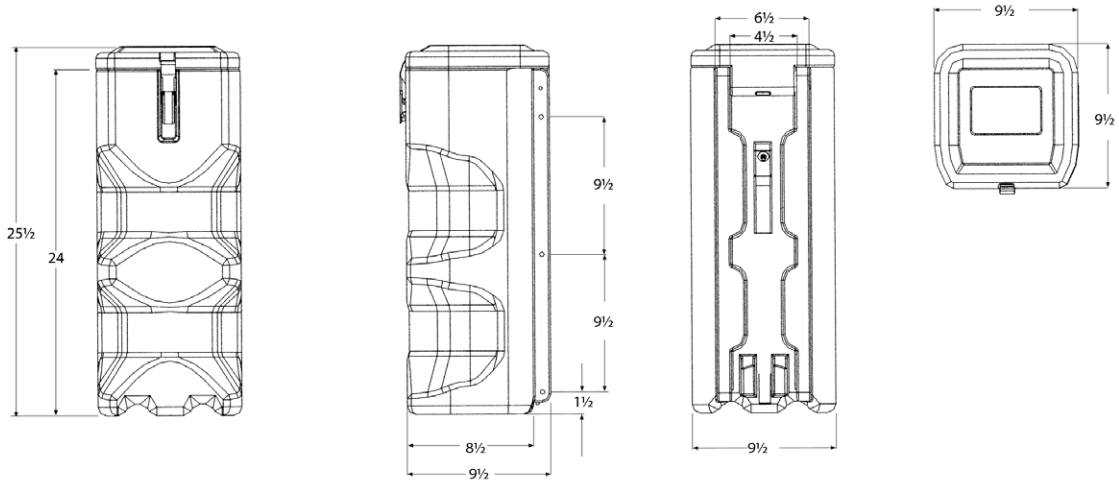


DIMENSIONS

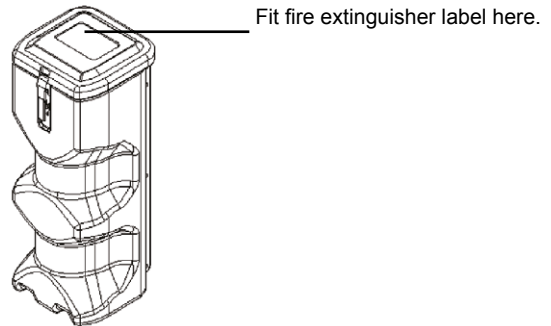
64 Series



NOTE

When fitting horizontally the boxes should be mounted so that they are at right angles to the direction of travel of the vehicle and the extinguisher does not rest on top of the tension strap.

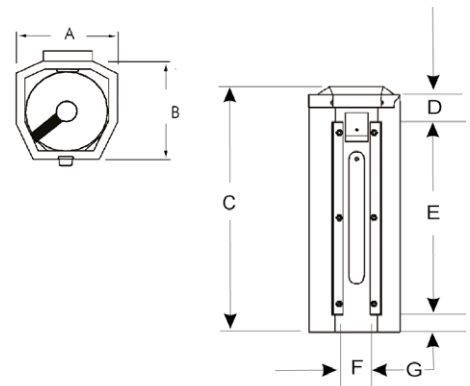
Placement of the fire extinguisher label.



DIMENSIONS

65-75 Series

	A "	B "	C "	D "	E "	F "	G "
JBFR65	9 1/2	9 1/2	25 1/2	3	19 1/2	3 1/2	2
JBFR75	12	10 1/2	29 1/2	4 1/2	20	5	4



KITS

KIT50

Rubber strap.



KIT50



KIT51

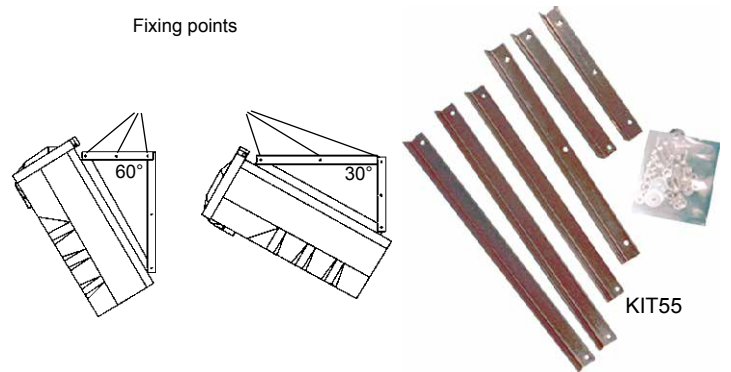
KIT51

Buckle web strap

KIT55

65-75 Series

Kit for mounting Top Loaders to a vehicle at an angle (30° or 60°).

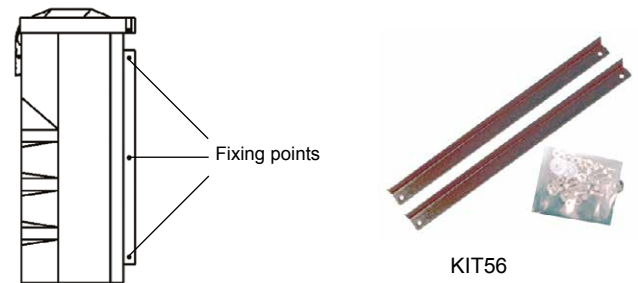


KIT55

KIT56

65-75 Series

Basic kit for mounting; also suitable for front loaders.

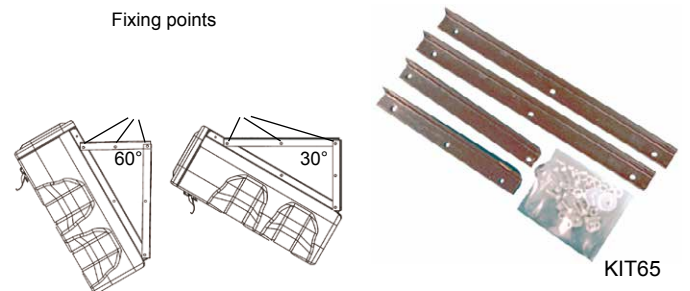


KIT56

KIT65

64 Series

Kit for mounting Top Loaders to a vehicle at an angle (30° or 60°).

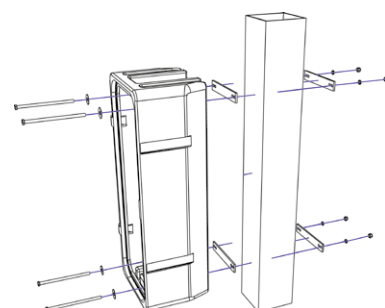


KIT65

KIT80

70-83 Series

Kit for mounting Front Loaders to a landing leg. Suitable for 4½ / 5 " wide landing legs.



KIT52
Free Standing Feet.

KITSHELF72



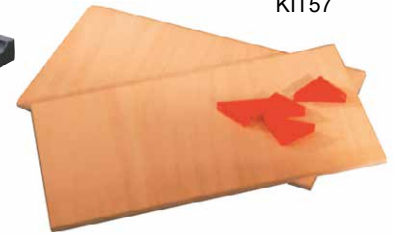
KIT52

KITSHELF72
2 plastic shelves for 72 Series.

KITSHELF85



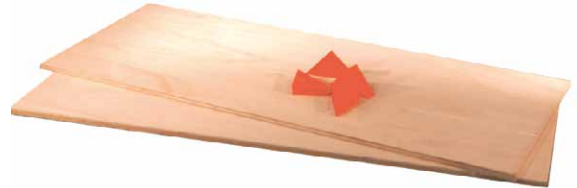
KIT57



KITSHELF85
2 plastic shelves for 85 Series.

KIT90
2 wooden shelves for 90 series.

KIT90



KIT57
2 wooden shelves for 85 series.

KITALARM
Alarm Kit.

KIT81
Spare Break-Glass.



KIT 91



KIT81



KITALARM

KIT91
Spare Keys (10 pieces).

10 labels per Kit in a plastic bag.



Fire Extinguisher
KIT-LAB-FIRE



Breathing Apparatus
KIT-LAB-BA



KIT-LAB-SPILLKIT



Fire Hose Reel
KIT-LAB-HOSEREEL



First Aid
KIT-LAB-FIRSTAID



KIT-LAB-ADR