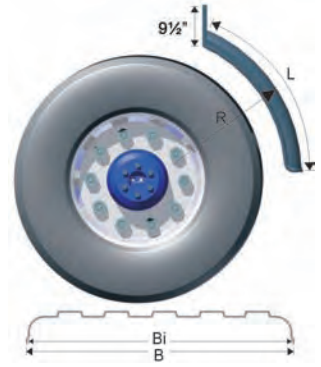


QUARTER FENDER

Extensively used on tractor and trailer units in Canada and the USA.

	(Bi)	(B)	(R)	(L)
JQF68	25 1/2"	26"	30"	23 1/2"



SINGLE CURL FENDER

	Internal width	External width	Radius	Length	Span	Height
JHT650N(RC66)	25 1/2"	26 1/2"	25"	66"	54"	24 1/2"



JHT650N(RC66)

USA TANKER FENDER

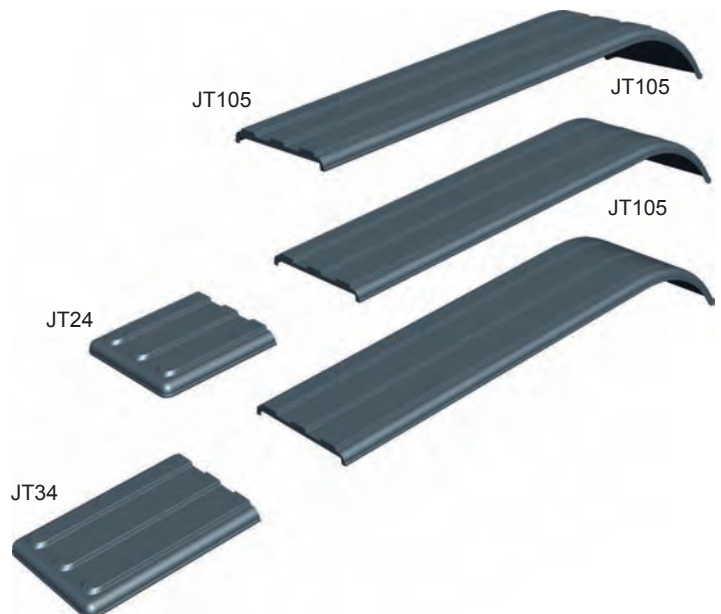
	(Bi)	(B)	(H)	(L)
JT24	25 1/2"	26 1/2"	16"	24"
JT34	25 1/2"	26 1/2"	16"	34"
JT105	25 1/2"	26 1/2"	16"	105"
JTP98	25 1/2"	26 1/2"	16"	110"



JT105



JT105



JT105

JT105

JT105

JT24

JT34

KUNSTSTOFFKOTTLÜGEL AUS MD-PE AILE PLASTIQUE MOYENNE DENSITE MEDIUM DENSITY PLASTIC MIDGUARDS