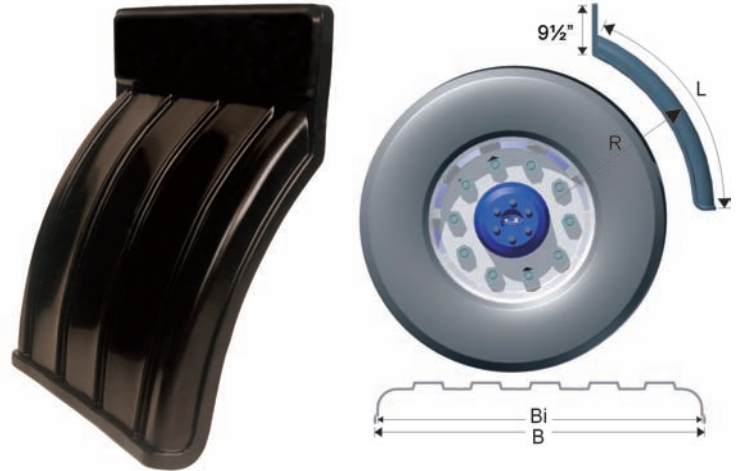


SPECIAL APPLICATIONS - USA

QUARTER FENDER

Extensively used on tractor and trailer units in Canada and the USA.

Type	(Bi)	(B)	(R)	(L)
JQF68	25½"	26"	30"	23½"



SINGLE CURL FENDER

Type	Internal width	External Width	Radius	Length	Span	Height
JHT650N(RC66)	25½"	26½"	25"	66"	54"	24½"

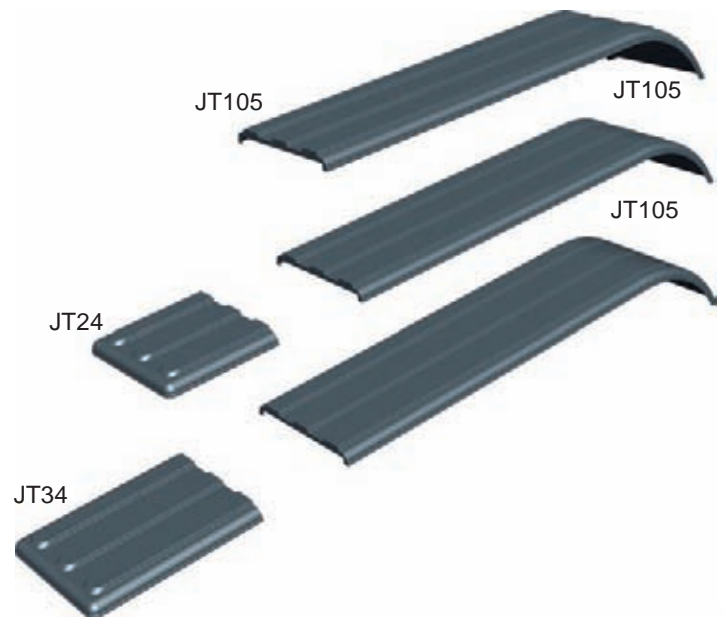


JHT650N(RC66)

SPECIAL APPLICATIONS - USA

USA TANKER FENDER


Type	(Bi)	(B)	(H)	(L)
JT24	25½"	26½"	16"	24"
JT34	25½"	26½"	16"	34"
JT105	25½"	26½"	16"	105"
JTP98	25½"	26½"	16"	110"



JTS350

Single radius plastic fender.

Designed primarily for use on the front axle of a road train trailer.

Type	(Bi)	(B)	(R)	(L)	(S)	(H)	
JTS350	13½"	14½"	25½"	96½"	80"	28"	 10.00-20, 10.00R20, F20 Type X, 11.00-20, 11.00R20, 12.00-20, 12.00R20, 10R22.5, 11R22.5, 12R22.5, 12/80R22.5, 315/75R22.5, C22.5 Pilote X, D22.5 Pilote X

